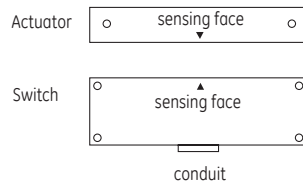
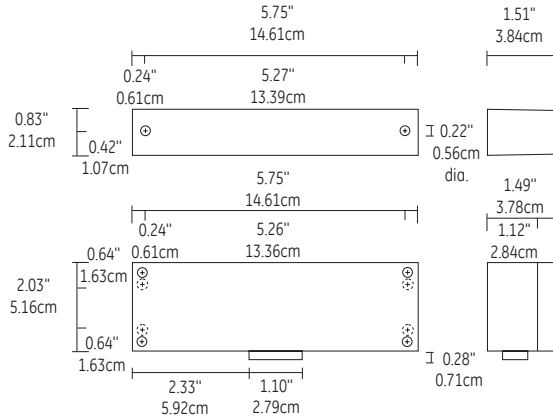




Explosion-Proof With Terminals 2800T Series

Applications

- Explosion-proof; UL listed for hazardous location classes:
 - Class I Group C, D
 - Class II Group E, F, and G
 - Class I Group B housing available
- Options include remote test, resettable current limiting device, custom modifications available
- Switch has pry-tamper plate



General Specifications

Enclosure	UL Explosion Proof, Die Cast Aluminum
Temperature Range	-40°F to -180°F (-40°C to 80°C)
Environmental	Hermetically Sealed Reed Switch Encapsulated in Polyurethane
NEMA Rating	1, 2, 3, 5, 12
Protection Class	IP 64
Response Time	1 msec max.
Life Cycles	100,000 Under Full Load, 10,000,000 Under Dry Circuit
Conduit Connection	1/2" Thread NPT
UL Listed	All Models



Part Number	Contact ¹ Configuration	Load Rating (AC/DC)	Switching Voltage (AC/DC)	Switching Current (AC/DC)	Sense Range ² Nominal	Terminal Type
2807T-M	SPDT	3W/VA	30V	0.25A	0.18" (0.5cm) to 0.62" (1.6cm)	#6 Screw
2845T-M	N.O.	7.5W/VA	100V	0.5A	1.0" (2.5cm)	#6 Screw
2847T-M	SPDT	3W/VA	30V	0.25A	1.0" (2.5cm)	#6 Screw

Warning— Each electrical rating is an individual maximum and cannot be exceeded!

¹ Configuration with actuator away from the switch

² Proximity of ferrous materials usually reduces sense range — typically by 50%. The shape and type of material cause a wide diversity of effects. Testing is required to determine actual sense range for specific applications. As measured on a nonferrous surface.

Gap distances are nominal make distance ± 20%. Gap Specifications are for switch to make. Break distance is approximately 1.1 to 1.5 times make.

